

DIN rail mount transformer, IP20

Type RDS

Compact single-phase safety isolating transformer designed for 35mm DIN-rail mounting. Designed and tested according to norm EN61558-2-6. Separate windings. Insulation class II, double isolated. CE approved. Short circuit and overload protected with built in PTC fuse. The transformer is capsulated in plastic. Easy "snap on" mounting on 35mm DIN-rail. RDS8 and RDS12 are designed for 24 Volts, RDS20, RDS40 and RDS63 for both 12 and 24 Volts.

Applications:

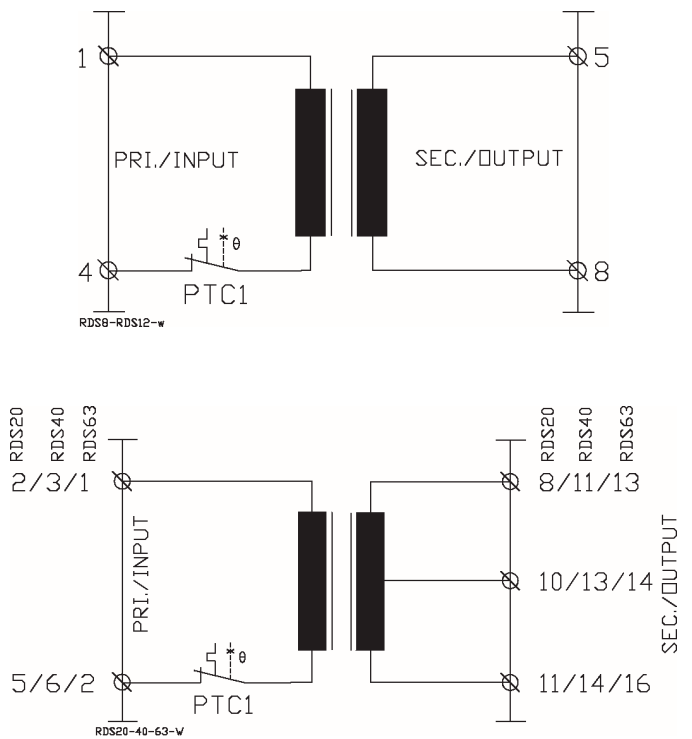
Designed for SELV-installation which require safety isolating transformer approved according to the CE directives. Typical alarms and automatic remote controls, designed to fit module mounting, 2, 3, 4 and 6 modules.



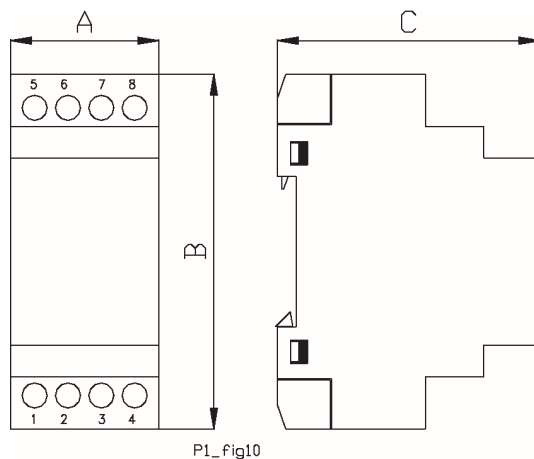
Technical specifications

- Input voltage: 230V
- Frequency: 47-63Hz
- Output voltage: 24V
12V / 24V
- According to: EN61558-2-6
- Test/insulating voltage: 4kV AC RMS
- Construction class: II
- Insulation class: B (130°C)
- Ambient temp. (t_a): 40°C
- Degree of protection: IP20

Wiring diagram



Dimensions



Standard types

Type	Voltage Sec. (V)	Current Sec. (A)	Power (VA)	Fuse (Pri.)	Dimensions AxBxC (mm)	Weight (Kg)	Art. no.
RDS8-1024-M2P	24	0,33	8	PTC	35,5x85x63	0,32	B-091-081024
RDS12-2024-M2P	24	0,50	12	PTC	35,5x85x63	0,32	B-091-122024
RDS20-2024-M3P	12-0-12	0,83	20	PTC	53x85x63	0,47	B-091-202024
RDS40-21224-M4P	0-12-24	3,3 / 1,67	40	PTC	71x85x63	0,82	B-091-402024
RDS63-21224-M6P	0-12-24	5,2 / 2,6	63	PTC	105x85x65	1,31	B-091-632024