

15MM – 54MM BRASS SOLENOID VALVE TECHNICAL SPECIFICATION

The AquiTron range of brass latching 6Vdc solenoid valves with manual override* are all WRAS approved, highly efficient, durable, reliable and satisfy all EC directives.

Available in sizes 15mm to 54mm these valves are for use with AquiTron leak detection and BREEAM systems. Including AT-WM and AT-PIR-SOV systems .

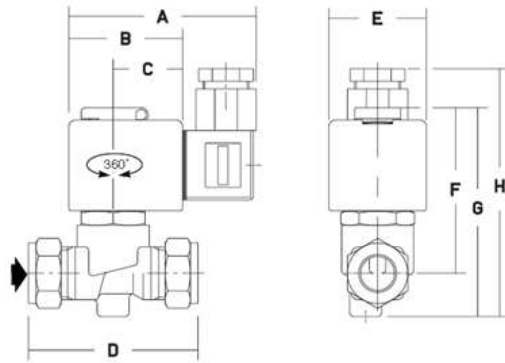
(*Manual release feature on sizes 28mm and above)

Technical Information

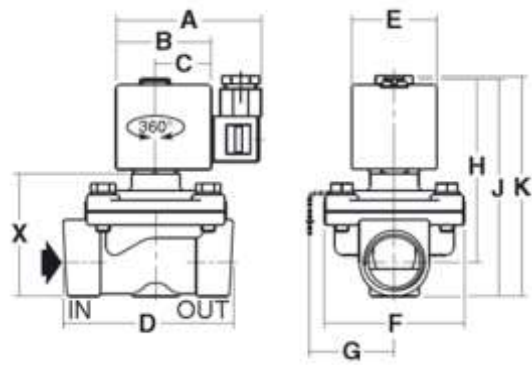
General							
Differential Pressure		0 – 12 (1bar = 100 kPa)					
Maximum Viscosity		65 cSt (mm ² /s)					
Ambient Temperature (TS)		0 °C to +40 °C					
Fluids (*)		Temperature Range (TS)			Seal Materials (*)		
Air, inert gas, water , oil		0°C to +50°C			NBR (nitrile)		
Materials in Contact with Fluid							
Body		Brass					
Core tube		Stainless steel					
Springs		Stainless steel					
Seals and discs		EPDM (ethylene-propylene)					
Disc holder (no function)		PA					
Shading coil		Copper					
Strainer		Stainless steel					
Electrical Characteristics							
Coil installation class		F					
Connector		Spade plug (pg 11P)					
Connector specification		ISO 4400					
Standard voltages		6V (others available on request)					
Specifications							
Pipe Size (mm)		15	22	28	35	42	54
Orifice Size (mm)		12	19	25	28	32	44
Flow Coefficient	(m ³ /h)	0,15	4,3	11,1	12,8	19,3	37
	Kv (l/min)	2,5	72	185	213	322	617
Operating Pressure Differential bar (102 kPa)	Min =	0	-	-	-	-	-
	Max (PS) =	12	-	-	-	-	-
Operating Pressure Differential (bar)	Min =	-	0	0,35	0,35	0,35	0,35
	Max (PS)	~	-	9	9	9	9
		=	-	3	9	9	9
Power Coil (W)	~	-	10,5	6	6	6	9
	=	-	11,2	11,2	11,2	11,2	15,3
Max Fluid Temperature (°C)		50	-	-	-	-	-
Watt Rating		6,0	-	-	-	-	-
Dimensions (mm)							
A		73,2	80	75	75	75	75
B		45,2	50	45	45	45	45
C		27	30	27	27	27	27
D		77,2	73	52	52	56	64
E		45,2	45	95	95	111	129
F		65,1	58	39	39	39	39
G		82,7	41	30	30	33	39
H		97,8	89	75	85	100	120
J		-	103	101	101	105	116
K		-	121	143	143	156	186
L		-	-	160	160	173	203
X		-	54	98	98	109	149
Weight (kg)		0,42	1	1,8	2	2,5	5,5

Diagrams

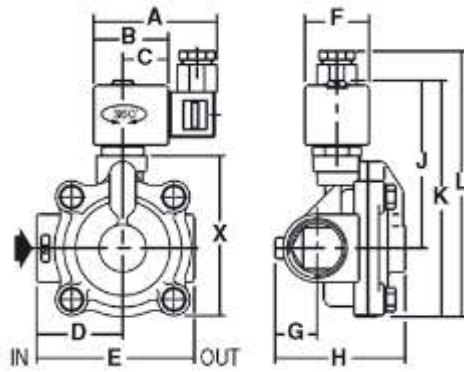
15mm



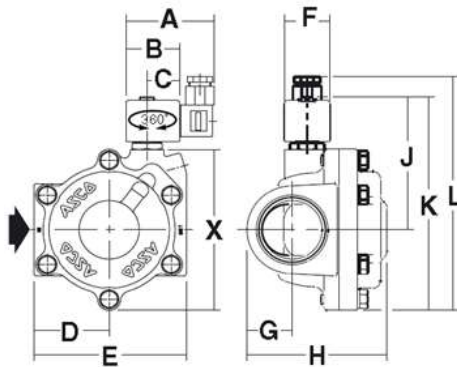
22mm



28mm, 35mm and 42mm



54mm



54mm Valve Flow Adjustment

The system water pressure will effect the correct operation of the 54mm valve.

To enable the valve to operate correctly it may require adjusting.

The 54mm valve comes with a pressure adjusting screw built in to the bodywork, just to the side of the outlet.

This controls the speed at which the valve opens & closes relative to the system pressure.

If the water flows normally when the valve is open this does not need adjusting.

If the water seems to flow with low pressure or the valve does not open, this screw needs adjusting.

Check that the manual override is in the closed position & the valve is open.

Screw the adjusting screw 1 all the way in, taking care not to over tighten. Then slowly unscrew it until the water starts to flow at a normal rate.

Then close & open the valve with the control panel to check it works.

Caution! The manual operation should only be operated when no power is applied to the valve.



1

